

Contemporary Technical Specification

Towel Ring

P5500, P5860

Stock Numbers:

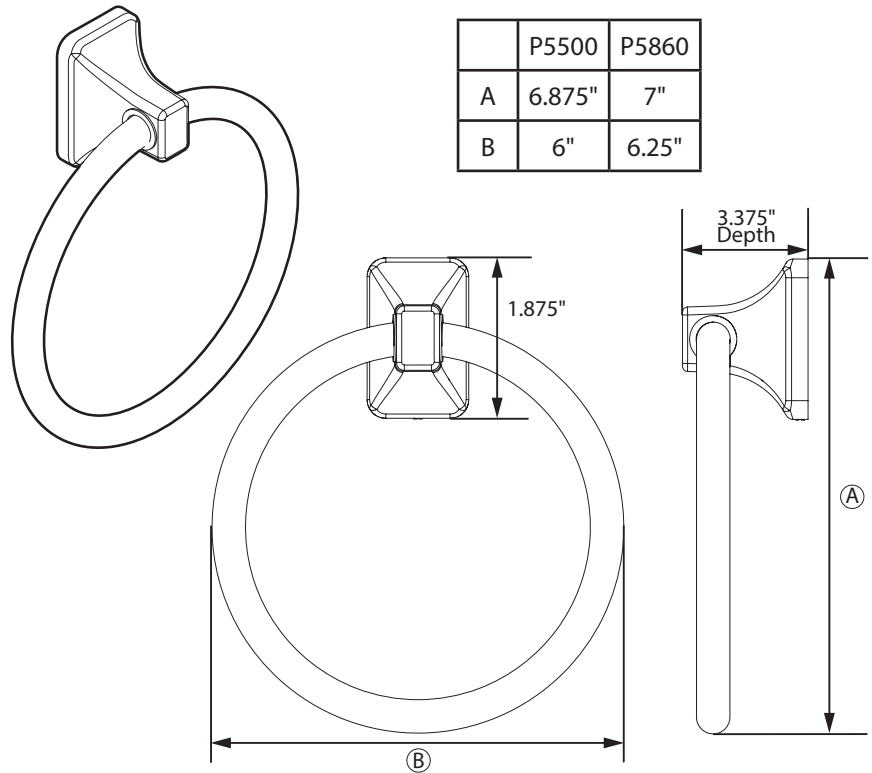
- **P5500 – Towel Ring**
Polished Chrome Finish
Concealed Screw Mounting
Clear Ring
- **P5860 – Towel Ring**
Polished Chrome Finish
Concealed Screw Mounting
Metal Ring
- **P5860BN – Towel Ring**
Brushed Nickel Finish
Concealed Screw Mounting
Metal Ring

“P” - Poly Bag Packaging

Materials:

Towel Ring posts are die cast from highest quality zinc alloy (zamac). 5500 ring is clear acrylic. 5860 ring is aluminum.

Dimensions:



Installation Instructions:

1. Remove mounting brackets from back of fixtures by loosening the set screws.
2. Position assembled unit on wall in desired location.
3. Lightly mark the outlines of the bases of the unit.
4. Center mounting brackets inside the outline.
5. Mark hole locations. Attach brackets to wall using 1-3/8" screws (provided).
6. Mount bases on brackets. Tighten set screws on the bottoms.
Note: Wood blocking is preferable behind all wall surfaces.
If wood blocking is not available, the following optional fasteners are suggested: Tile/Masonry – Plastic or Lead Anchors; Plaster/Drywall – Toggle Bolts.

Cleaning Instructions:

To preserve the fine finish of this product, clean only with a soft damp cloth. Dry well. Do not use commercial or abrasive cleaners.

Stock Number: _____ **Towel Ring**
By MOEN

 **MOEN**
Buy it for looks. Buy it for life.®

25300 AL MOEN DRIVE • NORTH OLMSTED, OH 44070
CORPORATE HEADQUARTERS: (800) 321-8809 • FAX: (800) 848-6636
INTERNATIONAL: (440) 962-2000 • FAX: (440) 962-2726
CUSTOMER SERVICE (USA): (800) 882-0116 • FAX: (888) 379-2720
WWW.MOEN.COM ©Copyright Moen, Inc.